

Fully Automatic Blood Pressure Monitor TM-2657P



Clinically
Validated



*Accurate measurement with sophisticated automatic
cuff size adjustment mechanism*

Easy operation

Small footprint

Application & Point of use

The TM-2657P is the latest model in the range of freestanding fully automatic blood pressure monitors such as the acclaimed previous models, whose ground-breaking designs have been well received and have created many new applications, places of use, and new markets. The main reasons for the high reputation of the previous models are their fast and accurate measurement, compact profile, ease-of-use, and durability. The new TM-2657P has been superbly styled in Japan, having a slim and compact shape with increased printout speed, and offers a diversified selection for connectivity. The TM-2657P helps expand market potential, not only for hospitals, medical clinics and health check-ups, but also for corporate wellness in the workplace, pharmacy services, and fitness centers.



Accurate measurement at hospitals, other medical clinics...

In some hospitals, patients can take their own blood pressure measurement using a fully automatic monitor before seeing the doctor. This "self triage" saves the patients' time and lightens the workload for the medical staff. And with modern validated BP monitors, the readings are as accurate as if the medical staff took the measurement.

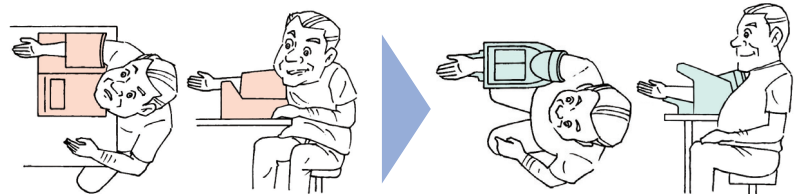
Pick an arm, any arm

Dual design allows the users to measure with either arm.



Ease of use removes measurement strain

The slim upright design of TM-2657P enables the ideal arm position to make precise blood pressure measurements.



Conventional monitors

TM-2657P

Barrier-free design

It is convenient for pregnant women, patients with back problems and patients in wheelchairs.



Small footprint

Slim design allows the users to put it against a wall or on a desk/counter top without taking up too much space.

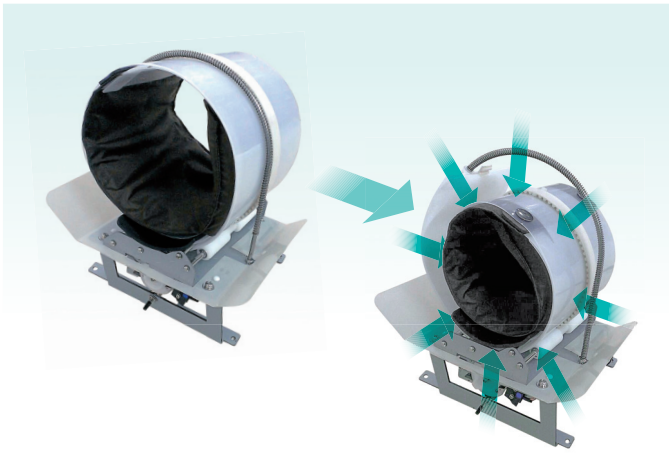


One button operation

START / STOP button located in the middle of the unit allows simple measurement with either hand.



"Torque Controlled Belt drive Method" (TCBM) adopted in our cuff fastening method



Accurate and reliable oscillometric measurement of blood pressure on the upper arm relies on correct cuff/bladder dimensions and pressure applied.

The A&D Torque Controlled Belt drive Method (TCBM) holds the upper arm perfectly with the essential personalized cuff circumference, the same measurement preparation carried out by clinical nurses.

This optimum ergonomic design enables the users to measure their blood pressure with accuracy, ease, safety, high speed and comfort.

Antibacterial arm cuff cover (included as standard)

Newly developed antibacterial arm cuff cover has been introduced to the TM-2657P in response to advice from medical experts.

It is possible for users to measure blood pressure in a clean environment.



Optional extension communication board (RS-232C, Bluetooth)

- TM-2657-01-EX with MiniDIN 8pin and D-Sub 9pin
- TM-2657-03-EX with D-Sub 9pin
- TM-2657-05-EX with D-Sub 9pin and Bluetooth

The user can take control of the data and automate the operation. It can connect to PC, card readers, barcode readers, etc..

The user can also connect TM-2657P with other Bluetooth enabled devices when using TM-2657-05-EX.

(Please consult with A&D's dealers about the compatibility.)



Printer

Reliable thermal printer with open head design

This allows easy paper roll replacement and also helps to avoid possible paper jams.



Various print-out formats

TM-2657P provides the users with print-outs (original mark, pictures, messages, etc.) with your ad, pharmacy name, etc..

A large print area is reserved for the advertisement. The printout can also include measurement information from other devices including some personal scales.

(Please consult with A&D's dealers about the compatibility.)

Bitmap

Name	17 Oct., 2015 22:18	
SYS	130	mmHg
DIA	96	mmHg
PUL	71	/min.
A&D A&D Medical		

Barcode

ID: 0123456789ABCDEF		
Name	31 Oct., 2014 PM 5:15	
SYS	129	mmHg
DIA	75	mmHg
PUL	64	/min.
129090075064		

QR code

ID: 0123456789ABCDEF		
Name	31 Oct., 2014 PM 5:16	
SYS	121	mmHg
DIA	77	mmHg
PUL	58	/min.
QR Code		

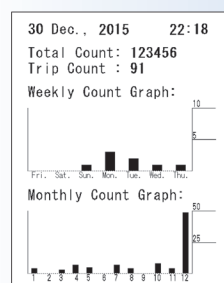
Other printing examples

Name	17 Oct., 2015 22:18	
SYS	130	mmHg
DIA	96	mmHg
PUL	71	/min.

“IHB” (Irregular Heart Beat)

The symbol for “IHB” is printed when a very slight vibration such as shivering or shaking is detected.

(Note: This is for warning purpose only. A&D recommends contacting a physician if you see this symbol (♥) frequently.)



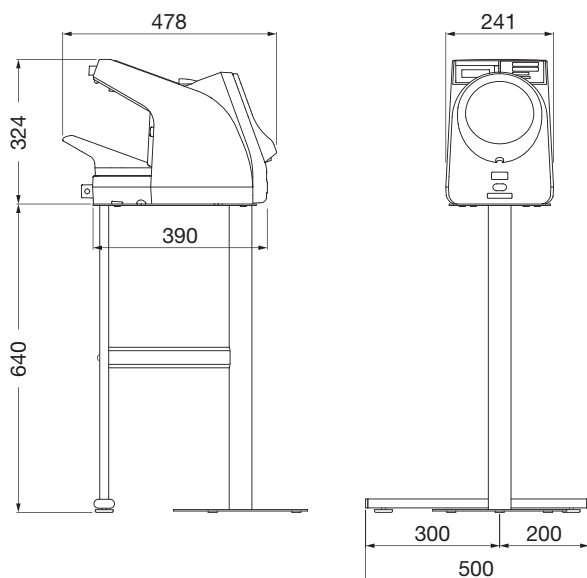
Counting function

The counting function is designed to check the usage frequency (the number of blood pressure measurements) and provide a reference for scheduled cleaning. The monitor can also display the same data on the LCD panel.

Specifications

Model name	TM-2657P
Measurement method	Oscillometric
AC power supply unit	Switching 100-240V AC 50-60Hz
Protection against electrical shock	Class I, Type B
Pressure display range	0-299 mmHg
NIBP measurement range	SYS 40-270 mmHg, DIA 20-200 mmHg, Pulse 30-240 bpm
Measurement accuracy	Pressure: ± 3 mmHg Pulse: $\pm 5\%$
NIBP clinical test	BS EN1060-4:2004, BHS:1993, ± 5 mmHg SD:8mmHg
Cuff fastening method	Torque Controlled Belt drive Method (TCBM)
External dimensions	241(W)x324(H)x390(D)mm (9.5(W)x13.0(H)x15.4(D)inches)
Weight	Approx. 5.5 kg (12.1lb)
Applicable arm circumference	7inches(18.0cm) to 13.8inches (35.0cm)
Cuff size	125x300mm (4.9x11.8inches)
Display type	3-digit display by LED
Systolic (SYS)	
Diastolic(DIA)	
Pulse rate(PUL)	
Counting function	Display of number of measurements to date: up to 999,999 times
Applied pressure	Automatic inflation by air pump
Pressure detection method	Capacitance type pressure transducer
Operating conditions	Temperature: 10-40 °C humidity: 30-85% RH, no condensing
Transport/Storage conditions	Temperature: -20-60 °C humidity: 10-95% RH, no condensing
Safety device (Electrical)	Quick release when START/STOP button is pressed Quick release when FAST STOP button is pressed
Clock function	Clock Display, Date & Time (2015 ~ 2050)

Dimensions (mm)



Options & Accessories



Dedicated stand
REF: TM-ST520
(The previous model, TM9325 can also be used for TM-2657P.)



Adjustable height stool
REF: TM-STAO01



Printer paper (5 rolls/set)
REF: AX-PP147-S



Antibacterial arm cuff cover (5 pieces/set)
REF: AX-134005759-S



Carrying case
REF: TM2657-10



Foot switch
REF: AX-SW135



RS-232C cable
REF: AX-KO1371-200



External input/output unit RS 2ch
REF: TM-2657-01-EX



External input/output unit RS 1ch
REF: TM-2657-03-EX



External input/output unit RS+Bluetooth
REF: TM-2657-05-EX



A&D Company, Limited

3-23-14 Higashi-Ikebukuro, Toshima-ku, Tokyo 170-0013 Japan
Telephone:[81](3)5391-6132 Fax:[81](3)5391-6148
1-243, Asahi, Kitamoto-shi, Saitama, 364-8585 Japan
Telephone:[81](0485)93-1111 Fax:[81](0485)93-1119
<http://www.aandd.jp>

A&D ENGINEERING, INC.

1756 Automation Parkway, San Jose, CA 95131 U.S.A.
Telephone:[1](408)263-5333 Fax:[1](408)263-0119

A&D INSTRUMENTS LIMITED

Unit 24/26 Blacklands Way Abingdon Business Park,
Abingdon, Oxon OX14 1DY UNITED KINGDOM
Telephone:[44](1235) 550420 Fax:[44](1235) 550485
(Authorized Representative Established in the European Community)

A&D AUSTRALASIA PTY. LTD.

32 Dew Street, Thebarton, South Australia 5031 AUSTRALIA
Telephone:[61](8)8301-8100 Fax:[61](8)8352-7409

A&D INSTRUMENTS INDIA PRIVATE LIMITED

509 Udyog Vihar Phase V Gurgaon-122 016, Haryana, India
Telephone : [91](124)471-5555 Fax: [91](124)471-5599